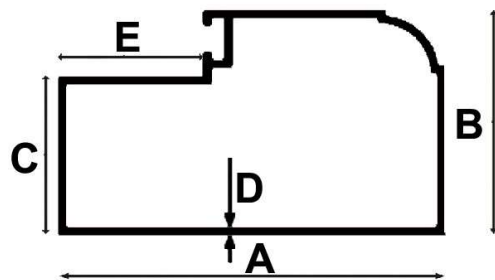
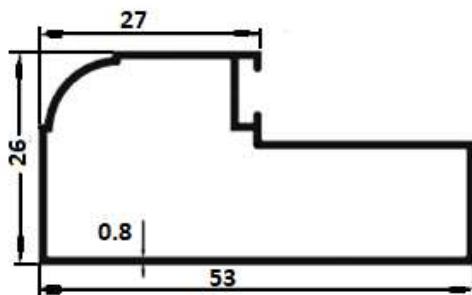


**SPECIAL MOULDING SECTION**

**PATTAM**

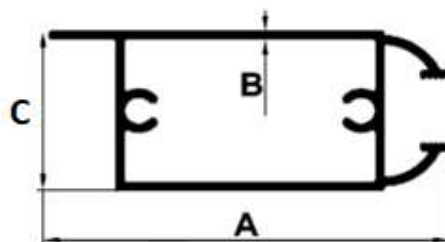


SL.NO.	SECTION NO.	A	B	C	D	E	WEIGHT(KG/M)
1	3136	65.00	40.00	28.00	1.40	24.50	0.615
2	3138	45.00	24.00	12.00	1.20	26.00	0.446
3	3139	108.0	53.00	40.00	2.50	34.00	2.261
4	3137	65.00	40.00	28.00	1.00	24.5	0.566



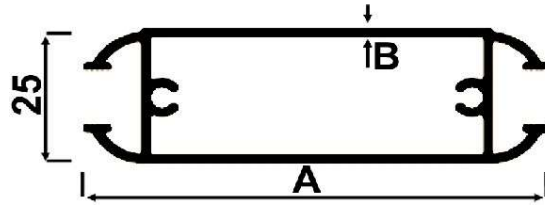
SL.NO.	SECTION NO.	WEIGHT(KG/M)
1	3146	0.338

SL.NO.	SECTION NO.	WEIGHT(KG/M)
1	3144	0.310

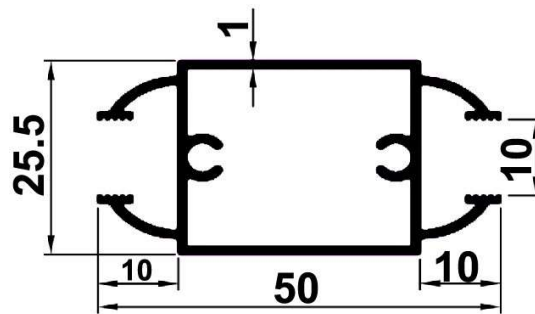


SL. NO.	SECTION NO.	A	B	C	WEIGHT(KG/M)
1	3125	80.00	0.95	25	0.580
2	3131	60.00	1.09	25	0.545
3	5694	80.00	1.02	26	0.619

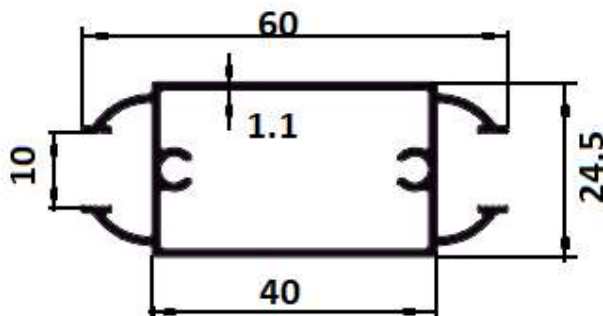
**MIDDLE**



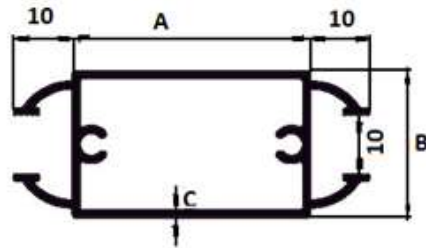
SL. No.	SECTION NO.	A	B	WEIGHT(KG/M)
1	3128	80.0	1.07	0.612
2	3132	60.0	1.13	0.569
3	3134	125.	0.98	0.809



SL. No.	SECTION NO.	WEIGHT(KG/M)
1	3140	0.485

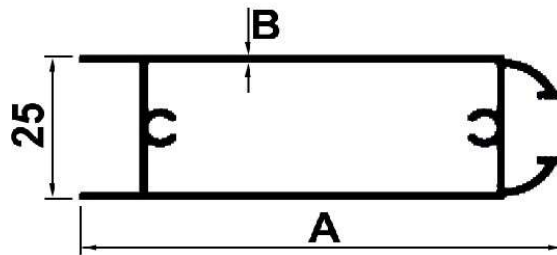


SL.NO	SECTION	WEIGHT(KG/M)
1	3161	0.584

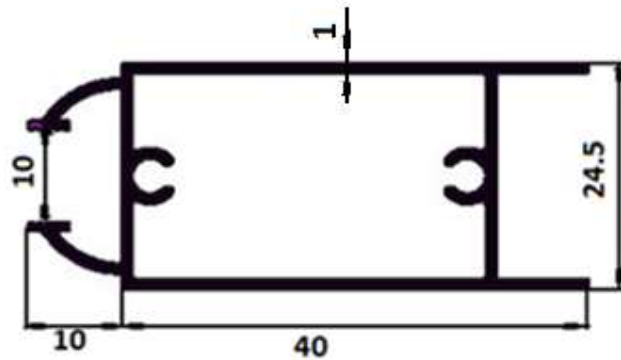


SL.NO	SECTION NO.	A	B	C	WEIGHT(KG/M)
1	5682	40.00	24.50	1.10	0.584
2	5692	80.00	26.00	0.92	0.603

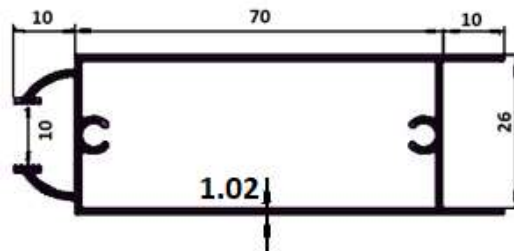
**TOP- BOTTOM**



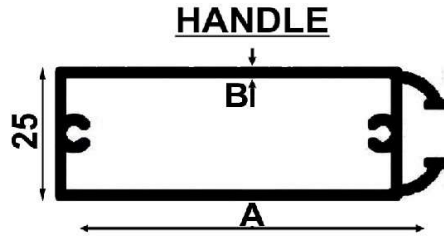
SL. No.	SECTION NO.	A	B	WEIGHT(KG/M)
1	3129	80.0	0.90	0.577
2	3133	60.0	1.02	0.541



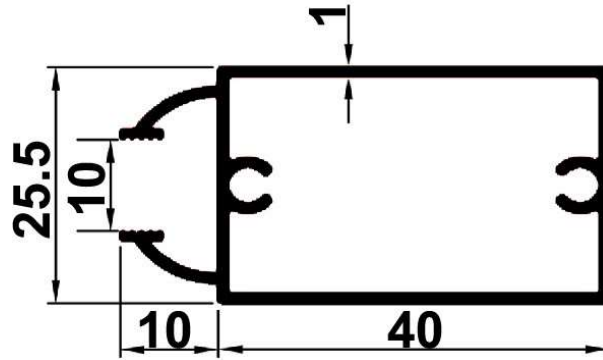
SL. No.	SECTION NO.	WEIGHT(KG/M)
1	5684	0.516



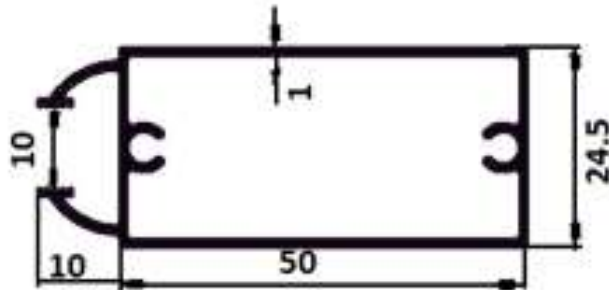
SL. No.	SECTION NO.	WEIGHT(KG/M)
1	5696	0.618



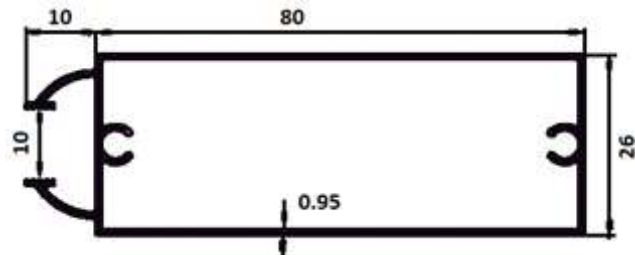
SL. No.	SECTION NO.	A	B	WEIGHT(KG/M)
1	3126	80.00	1.07	0.678
2	3130	60.00	1.13	0.570



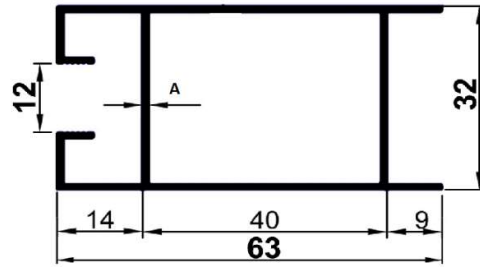
SL. No.	SECTION NO.	WEIGHT(KG/M)
1	3142	0.468



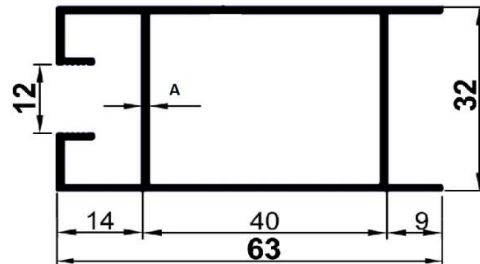
SL. No.	SECTION NO.	WEIGHT(KG/M)
1	5680	0.462



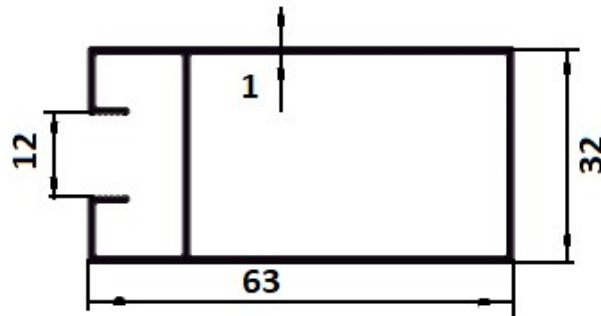
SL. No.	SECTION NO.	WEIGHT(KG/M)
1	5690	0.603



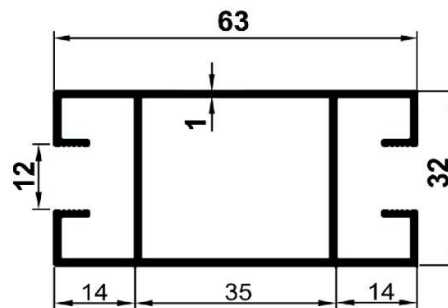
SL.NO.	SECTION NO.	WEIGHT(KG/M)
1	3156	0.550



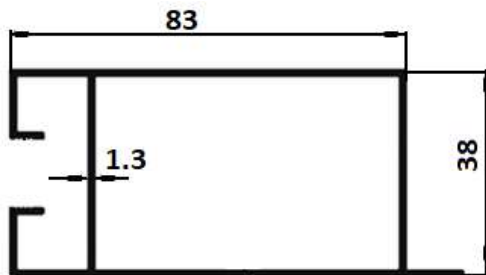
SL.NO.	SECTION NO.	A	WEIGHT(KG/M)
1	3152	1.00	0.574
2	3153	2.00	1.050



SL.NO	SECTION	WEIGHT(KG/M)
1	3150	0.574



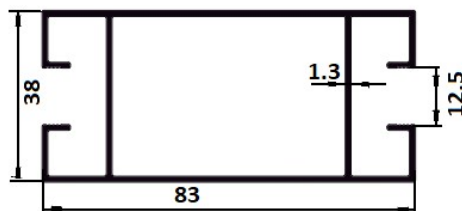
SL.NO	SECTION	WEIGHT(KG/M)
1	3154	0.647



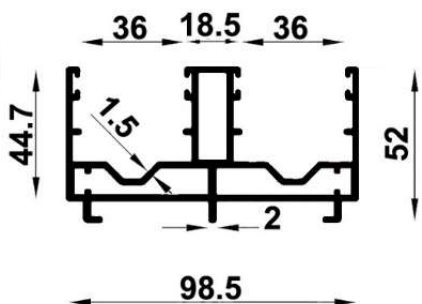
SL.NO	SECTION	WEIGHT(KG/M)
1	3164	0.907



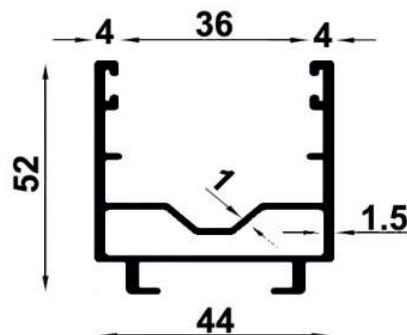
SL.NO	SECTION	WEIGHT(KG/M)
1	3160	0.943



SL.NO	SECTION	WEIGHT(KG/M)
1	3158	1.056

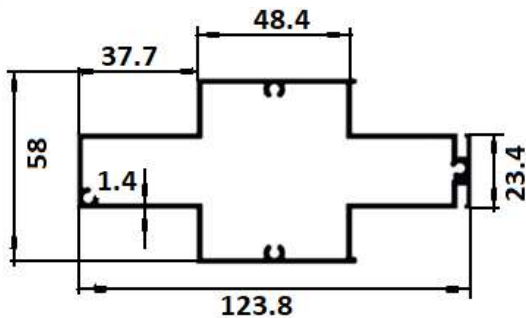


SL.NO	SECTION	WEIGHT(KG/M)
1	2931	1.910

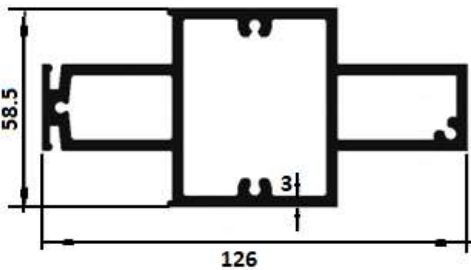


SL.NO	SECTION	WEIGHT(KG/M)
1	2932	0.774

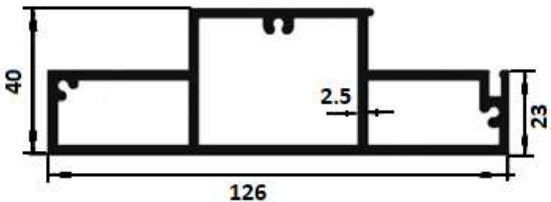
# PATTAM



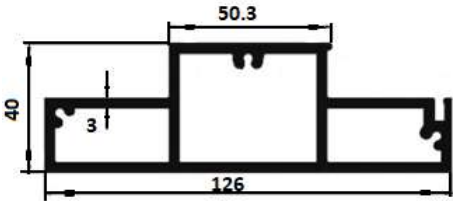
SL.NO.	SECTION NO.	WEIGHT(KG/M)
1	4201	1.538



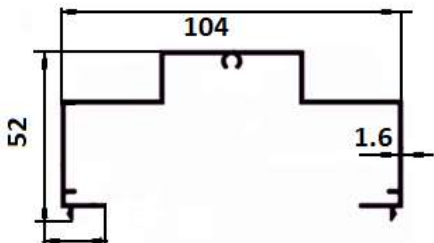
SL.NO.	SECTION NO.	WEIGHT(KG/M)
1	4246	3.535



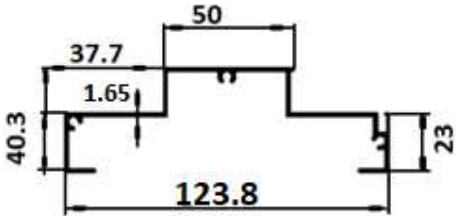
SL.NO.	SECTION NO.	WEIGHT(KG/M)
1	4245	2.587



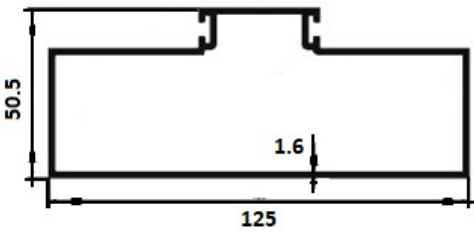
SL.NO.	SECTION NO.	WEIGHT(KG/M)
1	4244	3.070



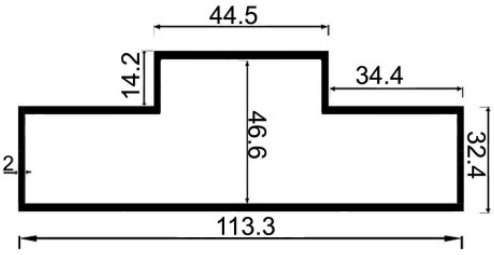
SL.NO.	SECTION NO.	WEIGHT(KG/M)
1	4222	0.991



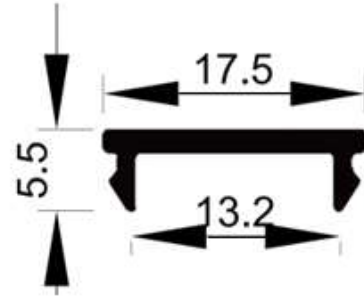
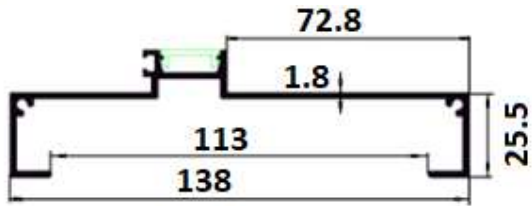
SL.NO.	SECTION NO.	WEIGHT(KG/M)
1	4204	1.106



SL.NO.	SECTION NO.	WEIGHT(KG/M)
1	4258	1.529



SL.NO.	SECTION NO.	WEIGHT(KG/M)
1	4205	1.606



SL.NO.	SECTION NO.	WEIGHT(KG/M)
1	4236	1.268

SL.NO.	SECTION NO.	WEIGHT(KG/M)
1	4238	0.101